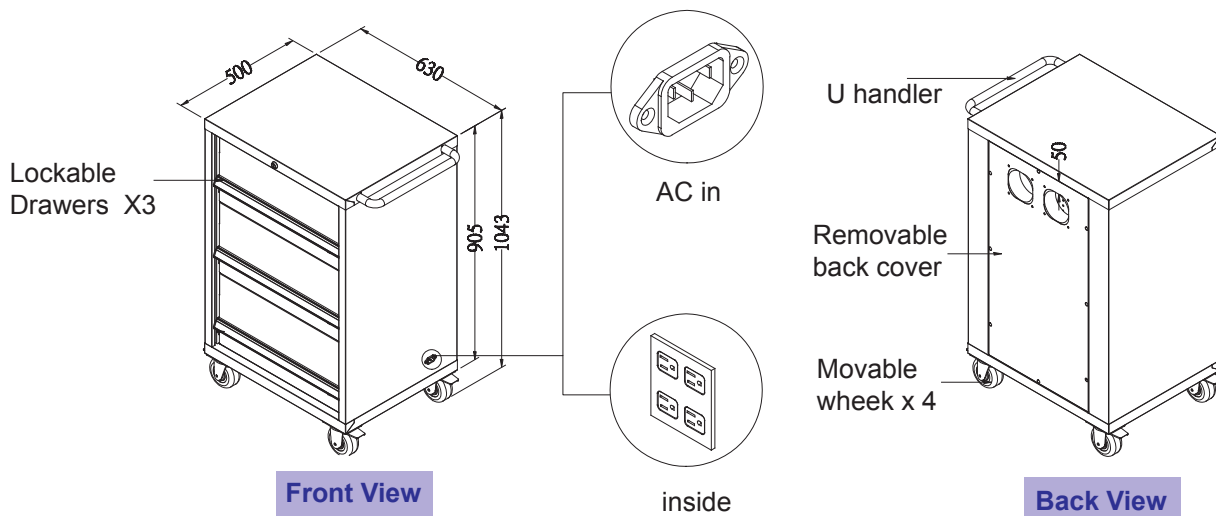


# Charging Cart for DCL70PAD

## Product Features:

- Charging up to 30pcs of tablet at the same time, saving time and space.
- Lockable drawer design for safety
- Including 2.5" 12V DC power cable x 30
- Compact metal housing
- Movable with wheels, providing more flexibility for different applications.
- Universal 110-240V AC power input
- Built-in 400W power x3

## Mechanical Drawing



## How to charge

### Step 1



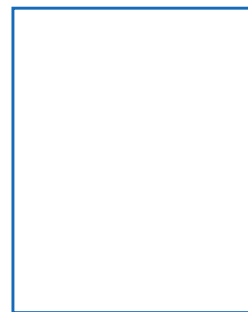
Pick up the power cable

### Step 2



Connect the power cable with DCL70PAD's DC - in port

### Step 3



Insert the DCL70PAD into the drawer

## Specification

Dimension	W630 x D500 x H1043 (mm)
Max. Charging Unit (M970D)	30 pcs (10 pcs per drawer)
Power Spec.	Built-in 400W Power Module x 3
Power Source	AC Input (110V~240V)
Weight	85Kg

\* Power consumption of charging 1 pcs DCL70PAD at full loading is around 36 watt.

Rev.	Reasons	Revised Date
1.0	First Release	Dec.07.2012