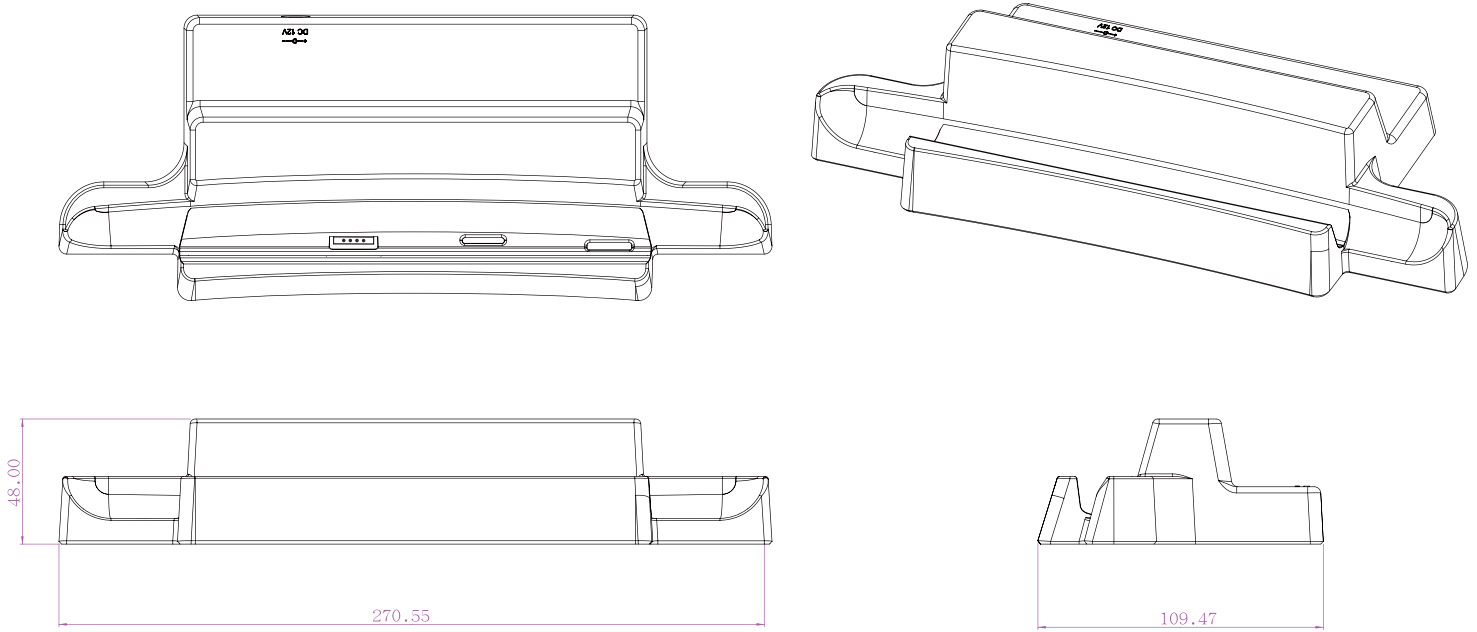


DCL70PAD Table Stand

Mechanical Drawing:



Holds DCL70PAD in landscape and charges the unit in meantime



Rev.	Reasons	Revised Date
1.0	First Release	Jul.07.11