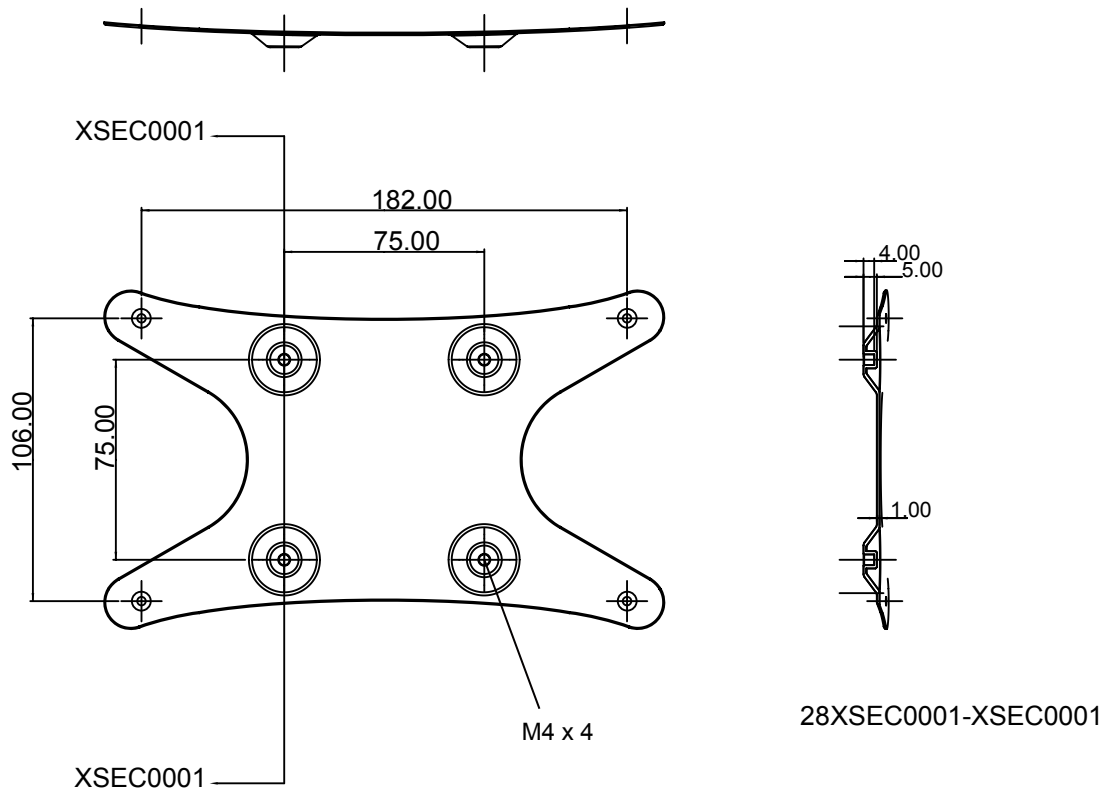


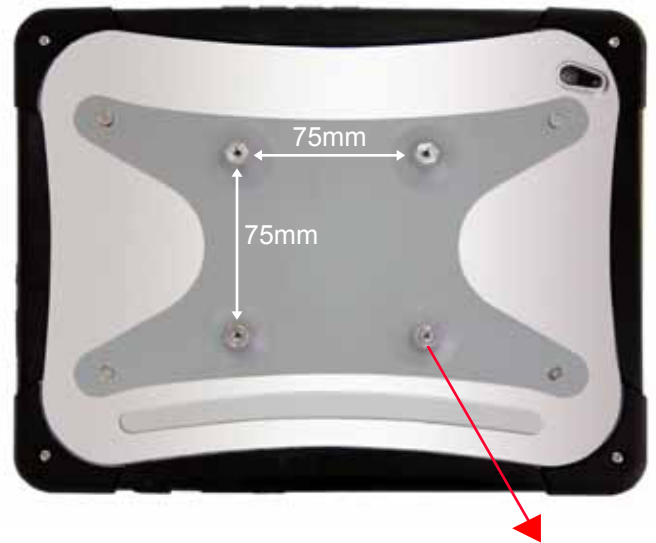
DCL70PAD VESA Mounting Kit

Mechanical Drawing:



How to use DCL70PAD VESA Mounting Kit ?

M3 x 6



**VESA Mount holes
(M4 x 4)**

Rev.	Reasons	Revised Date
1.0	First Release	July.10.12
1.1	Pic Change	Aug.30.12

